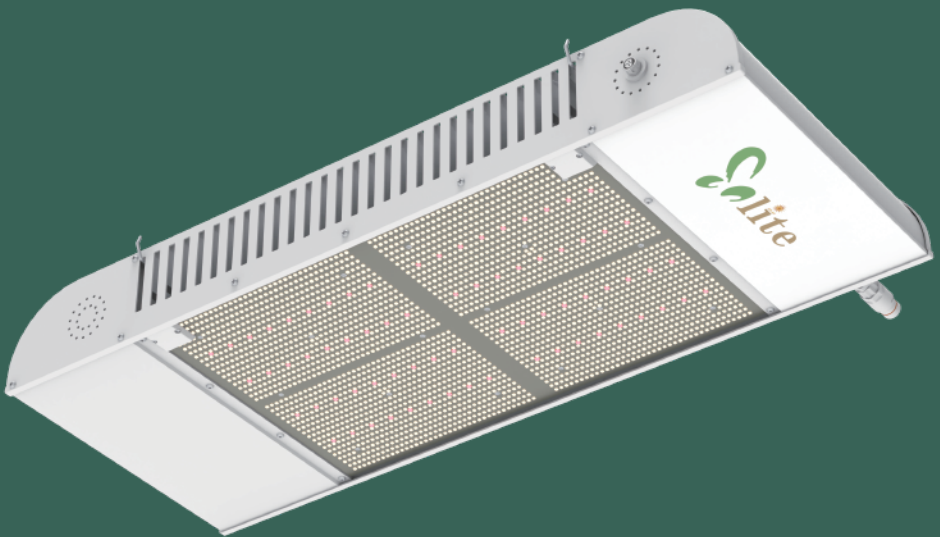




INSTRUCTION MANUAL

Save this manual for future reference



TL Series 840W

OVERVIEW

- Full spectrum top-lighting solution for commercial horticulture cultivation
- Strategic diode placement increases uniformity of light delivery to canopy
- Provide more than 15% light to the plant canopy and save 35% less power while compared with 1000W HPS
- IP65 protect against water and dust
- 5 year warranty

PART NO	MODEL	SPECTRUM	INPUT VOLTAGE
10800000005	TL840	F1 Spectrum	Low Voltage 120-277V AC
10800000006		F1 Spectrum	High Voltage 277-480V AC
10800000019		F2 Spectrum	Low Voltage 120-277V AC
10800000018		F2 Spectrum	High Voltage 277-480V AC

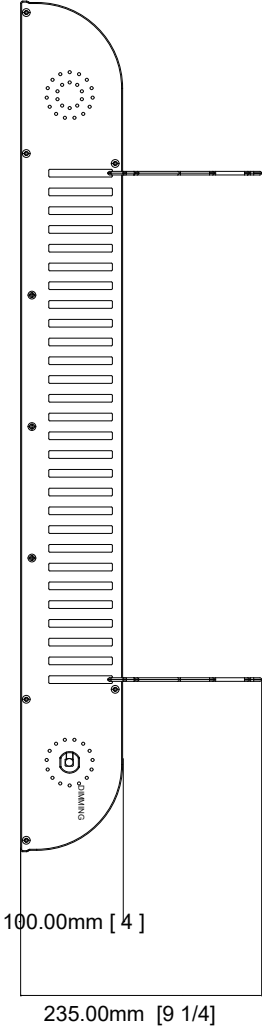
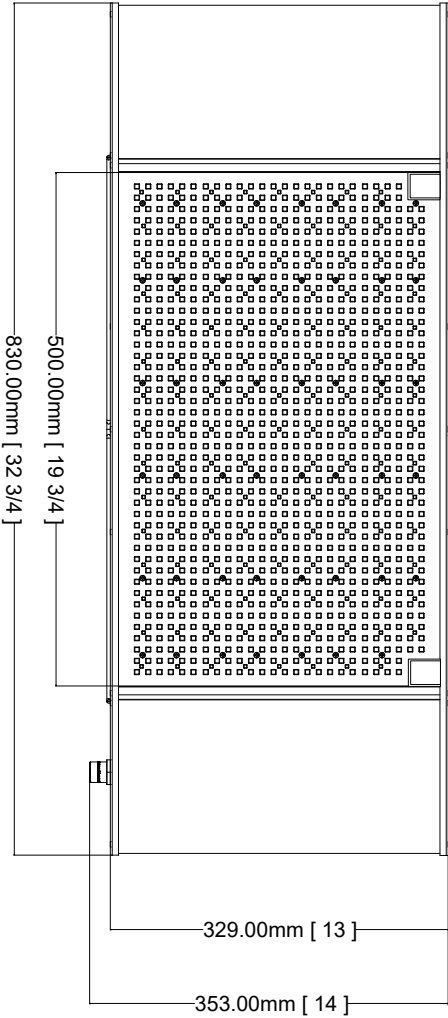
MAX Amperage- Low Voltage driver

Voltage	Amp	Power(Watt)	Power Factor
277V	3.13	849	0.98
240V	3.60	851	0.99
208V	4.15	855	0.99
120V	7.43	884	0.99

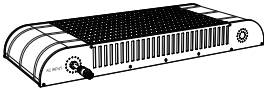
MAX Amperage- High Voltage driver

Voltage	Amp	Power(Watt)	Power Factor
480V	1.77	849	0.98
380V	2.24	851	0.99
347V	2.45	850	0.99
277V	3.10	855	0.99

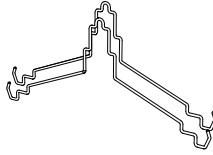
PRODUCT DIMENSION



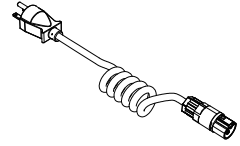
PARTS LIST



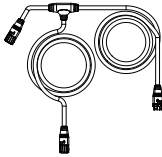
(A)



(B)



(C)



(D)

A: Top Light 840 Fixture

B: Hanger (x2)

C: Power Cable (x1)

D: T-Cable (Dimming)

Power Cable (Optional)

Wiring	Type of Male	Item Code	Description
		PC100	10' FT Leads, Power cable
		PC105	10' FT 120V plug (5-15P), Power cable
		PC106	10' FT 240V plug (6-15P), Power cable
		PC107	10' FT 277V plug (L7-15P), Power cable
		PC108	10' FT 277V plug (L7-20P), Power cable
		PC109	10' FT 480V plug (L8-20P), Power cable

Signal Cable (Optional)

	Item Code	Description
	SC101	Covert Cable to RJ 11



WARNING - POSSIBLE RISK OF INJURY TO EYES AND SKIN

Hazardous UV, HEV, and IR radiation may be emitted from light source. Always wear personal protective equipment ensuring complete shielding of skin and eyes. Avoid prolonged exposure and looking directly at light source.



WARNINGS

READ THE FOLLOWING INSTRUCTIONS CAREFULLY BEFORE USING OR WORKING WITH THE PRODUCT

- Best practices are to have a licensed electrician install your Lighting fixtures.
- Turn off the power and unplug fixture when you perform any maintenance or cleaning activity.
- Do not open or remove chassis covers or sheet-metal parts. Such an action could cause severe electrical shock.
- Avoid hitting, bending or causing mechanical stress to the fixture.
- To ensure optimal performance, the back of the lighting panels may require periodic Cleaning. Clean with compressed air or damp lint free cloth.
- Always provide a well-ventilated environment where ambient temperatures do not exceed 45°C(113°F) regardless of whether the fixtures are in operation or off.
- Excessive temperatures can inhibit performance and may cause damage or shorten the life of the fixtures and void the warranty.
- Do not cover or block any part of the fixture during operation.
- Avoid high pressure jets of water to the fixture
- Avoid coiled cords and keep mains leads separated. This prevents electromagnetic interference.
- Ensure the existing electrical can support the voltage and current requirements of the LED fixture.
- Avoid touching uninsulated electrical wires or terminals that have not been disconnected from their power source. Such an action could cause electrical shock.
- Always ensure that all modules, power supplies, and cover panels are fully inserted and that the installation screws are fully tightened.
- Do not open or disassemble the LED fixture, it contains no serviceable parts inside. Opening or modifying the LED fixture can be dangerous and will void the warranty.
- Always allow for a cool down period of at least 30 minutes before touching the LED bars.

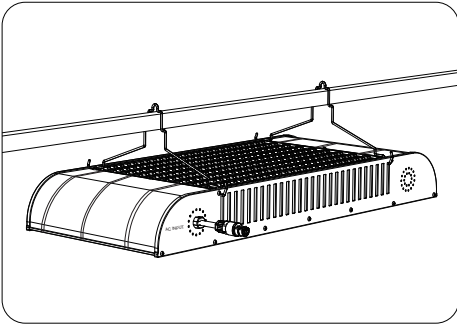
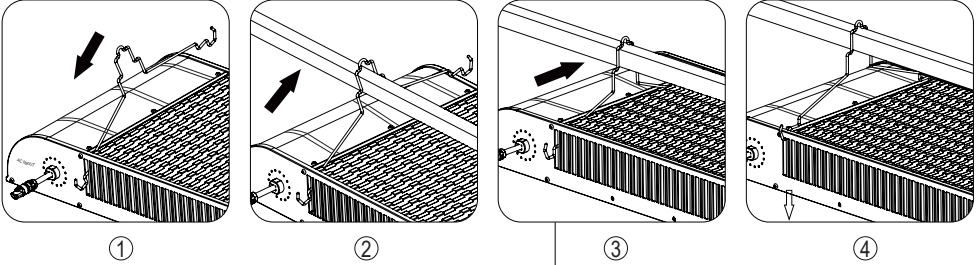


WARNING! BE SURE TO MOUNT THE SYSTEM TO SOMETHING THAT CAN HOLD THE WEIGHT OF THE LED FIXTURE.

INSTALLATION

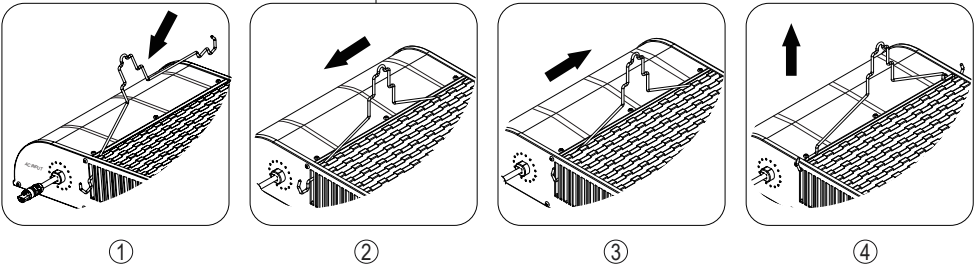
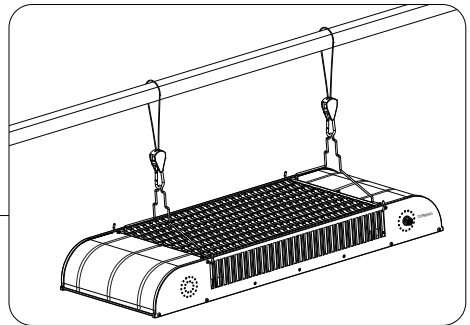
Before you start the installation, make sure to address the following:
This fixture installation requires 2 people.

Step 1: Mounting



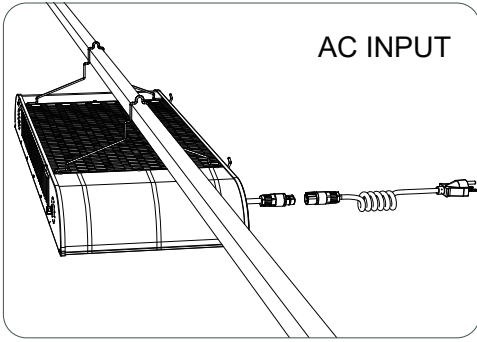
Mounting Option A : Strut Mounting

Mounting Option B: Suspended Mounting



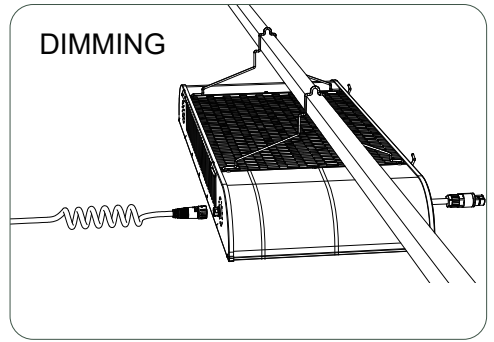
INSTALLATION

Step 2: Power Connection



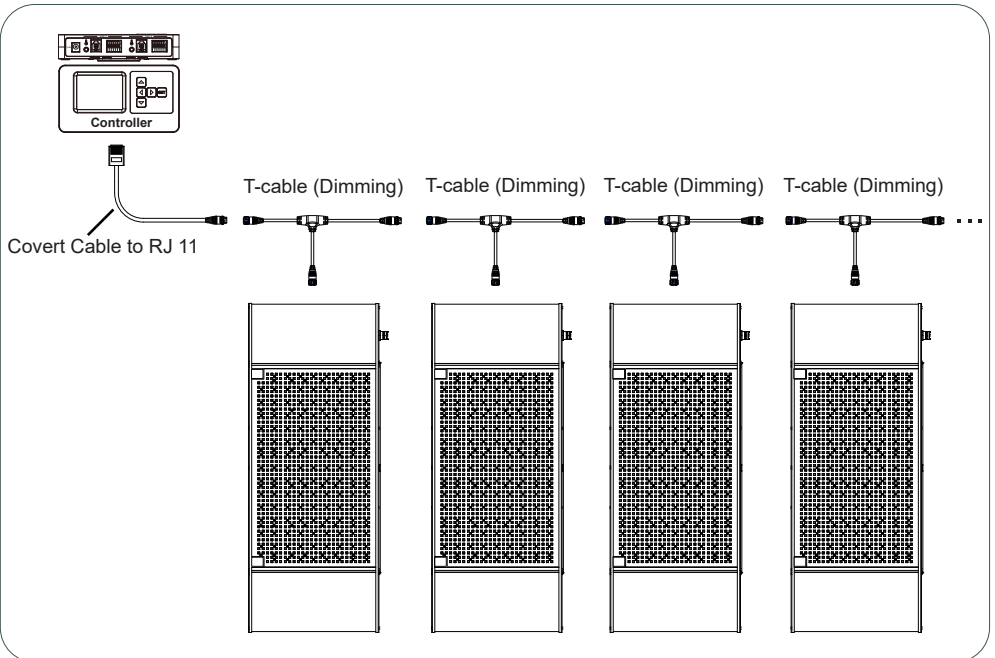
Connect the power cable with AC Input connector.

Step 3: Dimming Connection



Connect the T-cable (Dimming) with dimming connector.
The Top Light 840 is supporting 0-10V dimming signal.

Dimming Connection Diagram





LIMITED WARRANTY

Enlite warranties the mechanical and electronic components of this LED product and guarantees the materials and workmanship free of defects, if used under normal operating conditions within a period of five (5) years from the purchase date. Misuse, abuse, or failure to follow instructions is not covered under this warranty. All returns and claims must be presented with the original proof of purchase.

